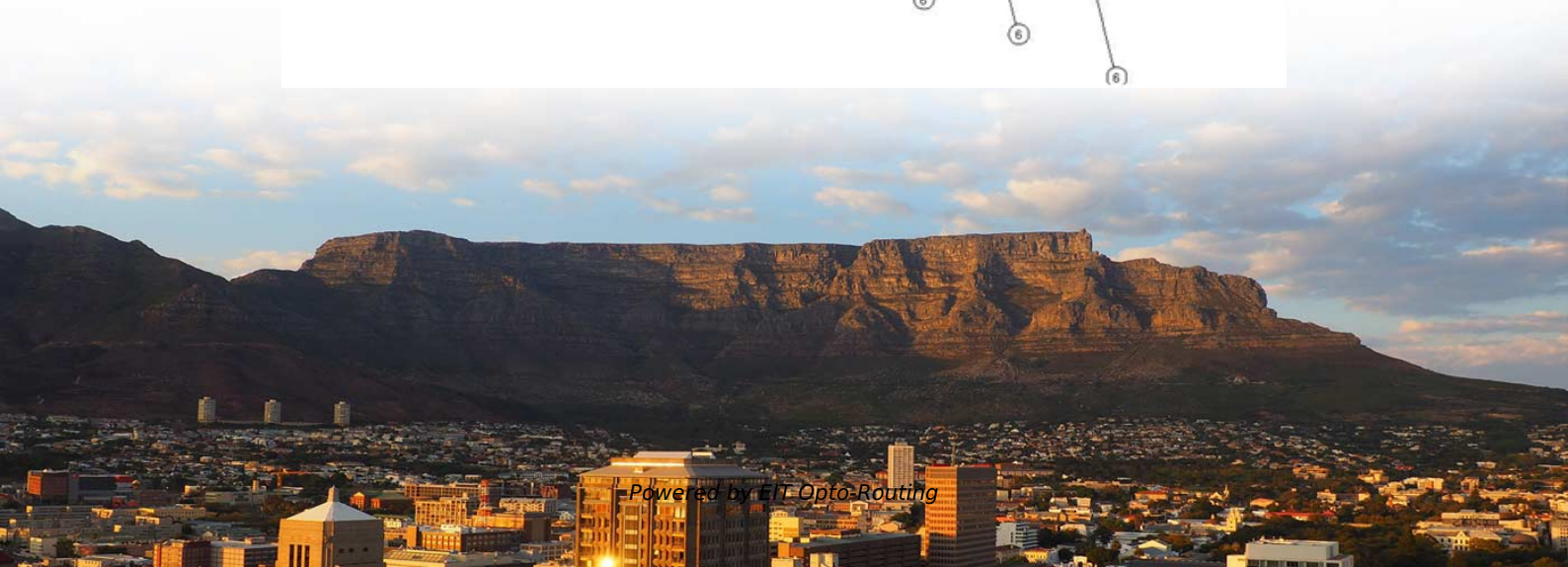
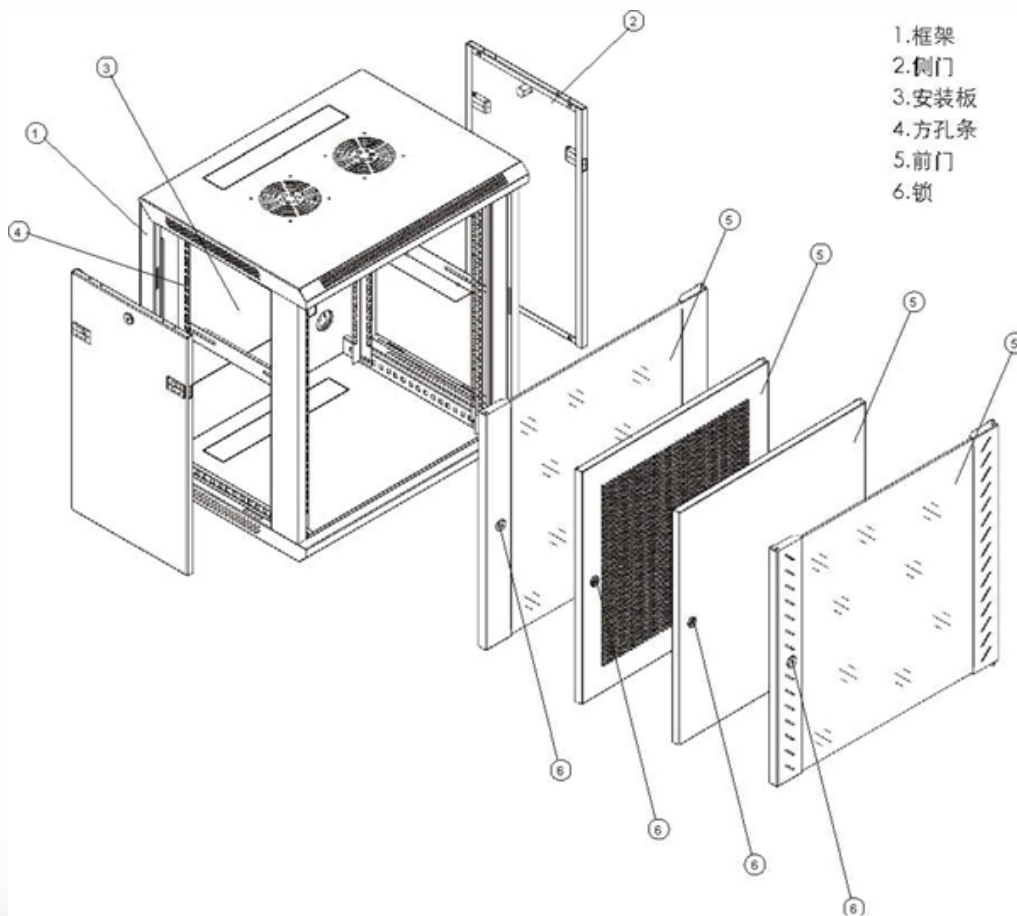


Which company excels in silicon photonics integration technology





Which company excels in silicon photonics integration technology

Silicon Photonics - the Backbone of HPC and AI , TechInsights

An overview of silicon photonics integration, key device structures, and technologies like co-packaged optics shaping next-gen datacenter interconnects. Integrating photonics with silicon

Integrated photonics platforms compared: SiN, InP and

Integrated photonics platforms compared: Silicon Nitride, Indium Phosphide & Silicon Photonics 08 March 2023 No technology platform can do it



Top 10 companies in Silicon Photonics Market in 2023

Intel, as a leader in silicon photonics, is enabling future data centre bandwidth growth and next-generation 5G deployments with smaller form factors

Integrated Photonics , Transitioning to End-to-End

Integrated photonics brings together the advantages of silicon photonics and CMOS circuits. By integrating the power of optical directly with compute, memory, and

Global Silicon Photonics Market Report 2025-2035, with Profiles of

The Global Silicon Photonics Market 2025-2035 provides an in-depth analysis of the



rapidly evolving industry, covering market trends, technological developments, and growth

Top 6 Silicon Photonics Companies Worldwide 2026

The top 6 silicon photonics companies in 2026, including Cisco Systems, Intel, IBM, NeoPhotonics, Hamamatsu Photonics, and STMicroelectronics globally.

Silicon Photonics Companies

The dominant strategies in the silicon photonics industry are vertical specialization and integration. Intel and Cisco are pursuing integration, focusing on merging electronic and photonic components onto



Top Silicon Photonics companies , VentureRadar

PhotonPath is a pioneering deep-tech company specializing in high-performance photonic integrated circuits for sectors such as telecommunications, data centers, and automotive industries.

10 Promising Players of Silicon Photonics Market & Market Size

10 Promising Players of Silicon Photonics Market With Market Size The contributions of a number of important companies, each of whom is essential to the advancement of the technology and the

Silicon Photonics and Photonic Integrated Circuits 2024

IDTechEx also discusses emerging technologies, such as Programmable Photonics,



Photonic Quantum Computers, and Co-Packaged Optics. What are the benefits

Silicon Photonics Companies , Market Research Future

Silicon photonics companies work on the integration of optical components into silicon chips. This technology has applications in data centers,

Lighting the way forward: The bright future of photonic integrated

The ongoing trend towards elevated levels of integration favours the widespread embrace of silicon (Si) photonics, particularly in utilizations such as LiDAR. The integration of PICs with other



Silicon Photonics Companies

This report lists the top Silicon Photonics companies based on the 2023 & 2024 market share reports. Mordor Intelligence expert advisors conducted extensive

KnowMade's report

This acceleration reflects the industrial adoption of silicon photonics in optical transceivers, coherent optics and datacenter communications, as well as the rapid emergence of optical I/O, co-packaged

Top 100 Silicon Photonics Companies in 2026 , ensun

Elenion is at the forefront of silicon photonics technology, utilizing a proprietary



manufacturing process in a major CMOS foundry to create highly integrated photonic devices.

What is Silicon Photonics? : Hitachi High-Tech Corporation

What is Silicon Photonics? Silicon photonics is a technology for fabricating optical and electronic integrated circuit on silicon microchip. Since the

Silicon photonics

ST's silicon photonics technology brings customers the ability to integrate multiple complex components into one single chip. ST's BiCMOS technology provides



Silicon Photonics Market Size, Share & Trends Report,

A key advantage of silicon photonics is its compatibility with existing silicon-based electronic technologies, enabling the integration of photonic components with

Silicon photonics

Silicon photonics is the study and application of photonic systems which use silicon as an optical medium. The silicon is usually patterned with sub

Silicon Photonics Company Evaluation Report 2025

This industry report evaluates over 100 companies and highlights the leading 25 firms, including key players like Cisco Systems, Intel Corporation, and Lumentum Holdings. Silicon



Silicon Photonics Companies

It acquired silicon photonics industry leader Luxtera in 2019 to strengthen its high-speed optical interconnects portfolio in data centers. This move is the best example of Cisco's horizontal

Silicon Photonics: A Comprehensive Guide to the Future

In photonics, silicon's high refractive index contrast allows for the creation of compact photonic devices, while its transparency in the infrared region

Top Silicon Photonics Technology Companies & How to Compare



Enterprises seeking integrated, turnkey modules often turn to Cisco or Acacia. Meanwhile, industrial and telecom players might prefer II-VI or Lumentum for their specialized components.

Top Silicon Photonics Technology Companies & How to Compare

Explore the Silicon Photonics Technology Market forecasted to expand from USD 1.2 billion in 2024 to USD 6.

Top 10 companies in Silicon Photonics Market in 2023

Rise in adoption of 2.5D integrated onboard silicon photonics by data centers and rising demand for high bandwidth, high data transfer, and



Nvidia builds out LPU chip team following \$20bn Groq acquire

On LinkedIn, a former Groq staffer now at Nvidia notes that they are "working on the low-level communications and systems software libraries of Nvidia's new class of LPU technology." One

Top 100 Silicon Photonics Companies in 2026 , ensun

The company focuses on integrated photonics development, specifically highlighting its work in silicon photonics and silicon nitride photonics. Their technologies aim to enhance interconnect, sensing, and

Contact Us

For datasheets, pricing, or custom optical networking solutions, please visit:
<https://entrenamientointeligente.es>