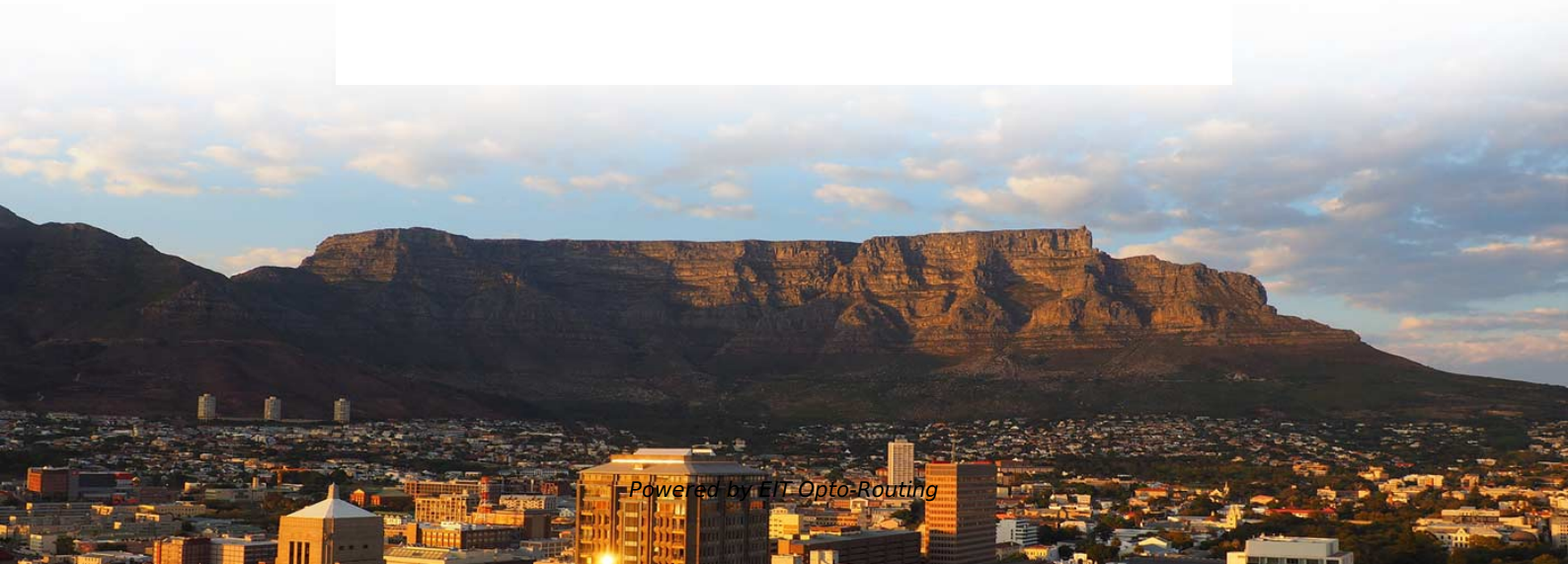
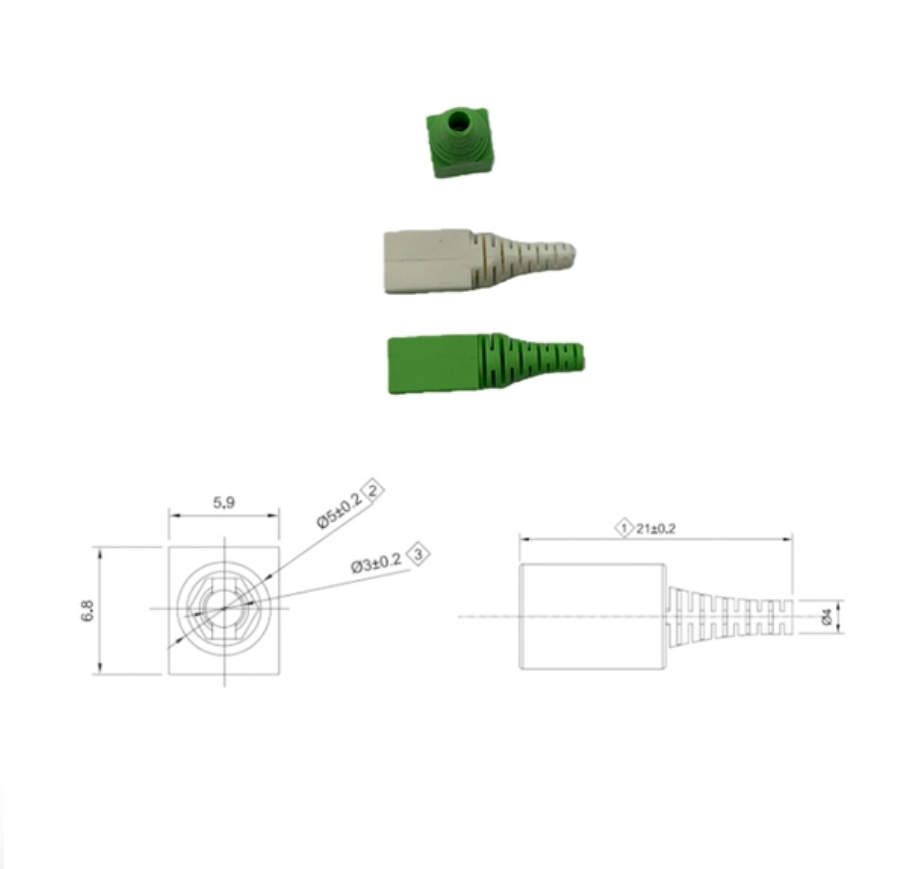


# Which brand of Palestinian electrical distribution boxes is good





## **Which brand of Palestinian electrical distribution boxes is good**

---

## **Reuters , Breaking International News & Views**

---

Find latest news from every corner of the globe at Reuters , your online source for breaking international news coverage.

## **Top 10 Electrical Enclosure Manufacturers Globally in 2025**

---

Leading manufacturers are at the forefront of the global industry, providing an extensive range of enclosures tailored for various applications, from



## **Palestine electrical outlets & plugs**

---

Do I need a power plug adapter or power converter for Palestine? All you need to know about electrical outlets, plug types and electricity voltage in Palestine in a single overview.

## **Top 10 Electrical Box Brands and Manufacturers in the World 2025**

---

Schneider Electric offers a wide range of products and solutions, including electrical boxes and enclosures for safe and reliable power distribution, low-voltage devices such as circuit breakers and

## **Palestinian Electrical Network Analysis**

---

Description of electrical energy sector in Palestine - Free download as PDF File (.pdf), Text File (.txt) or read online for free. The introduction of the project focuses on



## **Electrical & Electronic Equipment Companies in Palestine**

---

Electrical & Electronic Equipment Business Directory in Palestine is a professional business directory, find new manufacturers and suppliers in Palestine. Arabic Market is the leading B2B platform in Arab

## **Electricity in Palestine - Volunteer in Palestine - West**

---

Electricity is then provided to consumers through Palestinian distribution companies. In addition to electricity, oil and natural gas are obtained through Israeli sources.



## **Top 10 Distribution box supplier Companies and Products Compare**

---

To choose the right distribution box, consider factors like the electrical load, installation environment, and specific features you need, such as weather resistance or size.

## **Top 10 Electrical Enclosure Manufacturers Globally in 2025**

---

Discover the top 10 electrical enclosure manufacturers in 2025, leading innovation in safety, durability, and efficiency for industrial & commercial use

## **Best Distribution Box Manufacturer of December 2024**

---

We have collected the top Distribution Box companies in the industry who offer the best custom specification for all their Distribution Box that they need. And the



## 12 types of distribution boxes and how to choose them

---

Choosing the best distribution box isn't rocket science, but it does need a bit of thought. I'll walk you through the key factors to consider, like your building size, budget, and environment.

## Explore Distribution Boxes for Every Setting with Different Types

---

Home » Blog 2 » Articles » Explore Distribution Boxes for Every Setting with Different Types, Prices and Factors Distribution boxes act as the central hub, receiving the main electrical



## Top 6 Distribution Box Makers with Innovative Features in 2025

---

See the best distribution box manufacturer picks for 2025, featuring top brands with advanced safety, smart features, and global certifications.

## Top 10 Electrical Box Brands and Manufacturers in the

---

For electrical needs, Rockwell manufactures various electrical products, including load centers for power distribution, robust enclosures and boxes to protect

## Palestine Electric Outlets & Plugs

---

Electric sockets in Palestine In Palestine, power outlets conform to multiple types including type C, type H, and type M. Type C sockets have two round pins and are



commonly found in Europe.

## **Best Panel Electrical Boxes For Safety And Reliability**

---

**Best Panel Electrical Boxes: A Comprehensive Buying Guide** The electrical panel box serves as the central distribution point for electricity within a building, safeguarding circuits and

## **How to Choose Between Plastic Distribution Boxes and**

---

This article helps readers make informed decisions when selecting between plastic and metal distribution boxes by analyzing key factors like



## **Distribution Box Guide: Types, Components & Solutions**

---

Understand distribution boxes (DB boxes) in 5 minutes. Learn about types, components, functions, and uses. Find the perfect DB box for your needs.

## **Top Distribution Box Manufacturers Compared for 2025**

---

Compare top distribution box manufacturer options for 2025 by quality, innovation, certifications, and support to choose the best fit for your project.

## **Understanding Distribution Boxes: Your Guide to Power**

---



What are Distribution Boxes and Their Importance? What are Distribution Boxes and Their Importance? Distribution boxes, or electrical junction

## **17 AC Distribution Box Manufacturers in 2026**

---

This section provides an overview for ac distribution boxes as well as their applications and principles. Also, please take a look at the list of 17 ac distribution box manufacturers and their company rankings.

## **12 types of distribution boxes and how to choose them**

---

Key Factors in Choosing a Distribution Box Building Type and Size: Start with where it's going. For homes, a residential or flush-mounted box might suffice, but large spaces need sub-distribution



## **Power Distribution Box Essentials: Functions, Types**

---

We all know that electricity is the backbone of modern life. However, the problem may occur in its management. But there's a solution for every

## **Best Electrical Distribution Boxes in Abu Dhabi - Fiorentina**

---

Electrical distribution boxes play a vital role in ensuring the safe and efficient distribution of electricity. They are the core components of any electrical system, managing the distribution of power and

## **The Ultimate 2026 Guide to the Top 10 Power**

---

Discover the top 10 power distribution box manufacturers of 2026. Our ultimate guide



ranks the best PDB suppliers and helps you choose the right partner for your needs.

## **Ultimate Guide To Distribution Boxes Db Boxes Types**

---

Introduction For procurement professionals, electrical contractors, and project managers, choosing the right Distribution Box (DB Box) is a critical decision that

### **Contact Us**

---

For datasheets, pricing, or custom optical networking solutions, please visit:  
<https://entrenamientointeligente.es>