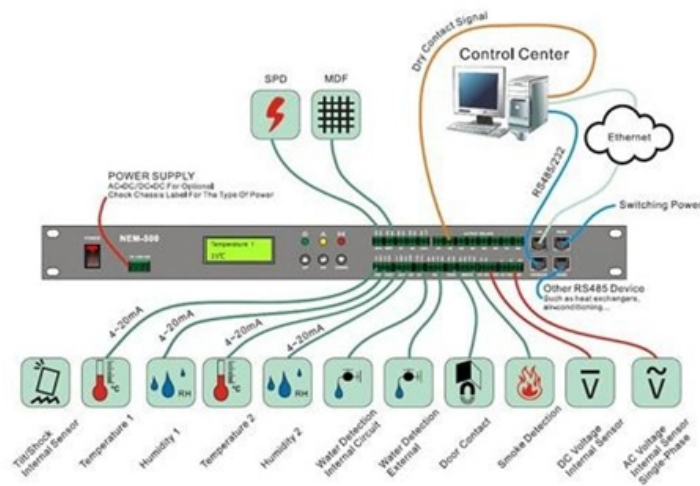


Tajikistan PAM4 Active Optical Module with 3-Year Warranty





Tajikistan PAM4 Active Optical Module with 3-Year Warranty

Optical DSP

Credo's extensive optical portfolio includes DSPs for 50G, 100G, 200G, 400G, 800G and 1.6T PAM4 optical transceivers and active optical cables. Our products meet

BCM87412 7-nm 400G PAM-4 (8:4) Transceiver PHY with

The Broadcom advanced DSP technology and equalization techniques compensate for optical impairments while maintaining the world's lowest power to enable the deployment of 12.8 Tb/s and



Overview of 100G PAM4 Optical Modules with DWDM Technology

Discover the benefits, features, and applications of 100G PAM4 DWDM optical modules, and learn how they compare with coherent optics for modern network deployment.

Marvell Ara PAM4 Optical DSP

The Marvell Ara PAM4 DSP is a next generation solution for GenAI and cloud datacenter interconnects utilizing pluggable transceivers. Ara features eight 200Gbps/channel PAM4 host electrical interfaces,

Yygl 400G QSFP112 DR4 4x100G-PAM4 10nm 500m DOM MPO

400GBASE-SR4 optical module with MTP/MPO-12 connectors, enabling transmission distances up to 100 meters over parallel OM4 multimode fiber. Compliant with QSFP-DD



MSA, CMIS 5.2 interface,

PAM4 Optical DSPs , Enabling high-bandwidth optical

Nova 1.6T PAM4 DSPs enable 1.6T and 800G optical transceiver modules for AI/ML and next-gen cloud data center networks. Supports both Ethernet and InfiniBand

PAM4: Pulse Amplitude Modulation Explained , Keysight

Coherent optics uses quadrature amplitude modulation (QAM), a method of complex modulation that increases transmission speed and efficiency



Generic Compatible 400GBASE-XDR4 QSFP-DD PAM4 1310nm 2km

This network solution utilizes NADDOD optical modules to connect the products and achieve a network architecture upgrade from 100G to 400G. It provides higher data transmission rates and increased

PAM4 vs NRZ: 100G Transceiver Technology Explained

Discover how PAM4 technology doubles data throughput over NRZ, enabling 100G-400G transceivers. Learn pros, cons, and future prospects.

MxL93642

The MxL93642 and MxL93643 are highly integrated PAM4 DSP SoCs that enable



400Gbps optical interconnects using 100Gbps over a single optical wavelength (100G/?).
The devices have a high

QSFP-DD 400G FR4 2KM 400GBASE-FR4 8x53.125Gb/s PAM4

QSFP-DD 400G FR4 2KM 400GBASE-FR4 8x53.125Gb/s PAM4 1310nm Duplex LC DDM
SMF Fiber Optic Transceiver Module 3-Year Warranty Data

Understanding PAM4 Modulation in Next-Gen Optical Transceivers

Understanding PAM4 Modulation in Next-Gen Optical Transceivers Pulse amplitude modulation (PAM) is already a widely adopted technology in high-speed digital communications. But



1.6T 2xFR4 OSFP PAM4 Optical Transceiver

1.6T 2xFR4 OSFP PAM4 Optical Transceiver is for data communications applications. The high bandwidth module supports dual 800G Ethernet or InfiniBand connections, or a single 1.6T Ethernet

Marvell Extends 1.6T Connectivity Leadership With Industry's First PAM4

--Marvell Technology, Inc., a leader in data infrastructure semiconductor solutions, today announced Marvell® Nova 2, the industry's first 1.6 Tbps PAM4 optical DSP featuring 200 Gbps

400G PAM4 QSFP-DD DR4/DR4+ Transceiver



The optical transceiver supports a full QSFP-DD-compliant set of control, alarm, and monitoring features through a standard I2C management interface, as well as low speed control pins which support

Research and design of 800Gbit/s PAM4 LR8 10km optical module

400G optical modules are now in commercial scale, but with the mature development of 5G networks and the rapid expansion of data centers, increasing user demand for data transfer rates, the

7m (23ft) Generic Compatible 100G DSFP 2 x 50G PAM4 Active

The generic compatible DSFP Active Optical Cables are parallel 100G small form factor, hot-pluggable 850nm AOCs. The cable integrates dual VCSEL lasers and PIN photo-detectors with PAM4



A 100-Gb/s PAM4 Optical Transmitter in a 3-D-Integrated

This article presents a 100-Gb/s four-level pulse-amplitude modulation (PAM4) optical transmitter system implemented in a 3-D-integrated silicon photonics-CMOS platform.

100GBASE-FR QSFP28 PAM4 1310nm 2km SMF

NADDOD 100G optical module is suitable for 100G Ethernet, 112G OTN OTU4, telecom, access networks, data center interconnects, service provider

1m (3ft) NVIDIA/Mellanox Compatible 400G QSFP112 4



1m (3ft) NVIDIA/Mellanox Compatible 400G QSFP112 4 x 100G PAM4 Ethernet Active Optical Cable, Product Specification:Part Number - QSFP-400G

Porrima 100G/400G PAM4 for Optical Module

The Marvell Porrima PAM4 DSP is a next generation solution for cloud data center, high-performance computing, and AI optical transceivers. Porrima supports multiple industry standard protocols up to

Spec Sheet

The Active Optical Cable assemblies support 400G PAM4 applications and are available in standard lengths up to 100 meters including 1:2, 1:4 and 1:8 breakouts.



MaxLinear announces 5nm CMOS PAM4 DSP with

MaxLinear announces 5nm CMOS PAM4 DSP with integrated VCSEL drivers for 800G and 400G Multimode short-reach optical modules and

YYGL 400G QSFP112 SR4 PAM4 850nm OM4 100m DOM Single

YYGL 400G QSFP112 SR4 PAM4 850nm OM4 100m DOM Single MPO-12/APC Multimode Optical Module 2-Year Warranty No reviews yet Wuhan Yi Yuan Guanglian Information Technology Co., Ltd.

Spica 400G/800G PAM4 DSP for Optical Module

The Marvell Spica PAM4 DSP is a next generation solution for cloud data center, high-performance computing, and AI optical transceivers. Spica supports multiple industry standard protocols up to



Why Use PAM4 Signaling Technology for High-speed Optical Module

Why Use PAM4 Signaling Technology for High-speed Optical Module Transmission ,
FiberMall FiberMall 1.67K subscribers Subscribed

DCP-M40-PAM4-ER+

DCP-M offers an unparalleled level of plug and play simplicity regardless of traffic type and network application. The DCP-M family comprises four models for either 8 or 40 channels, dedicated for

Understanding Pam4 Signal: Basics, Modulation



The move from NRZ to PAM4 has been driven by the need for higher data rates and more efficient bandwidth use, and PAM4 modulation delivers on

Contact Us

For datasheets, pricing, or custom optical networking solutions, please visit:
<https://entrenamientointeligente.es>