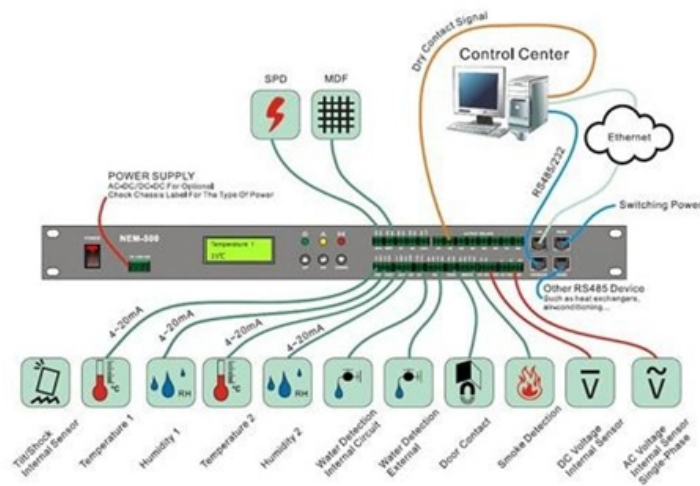


# PoE Switch with Electrical Flow





## PoE Switch with Electrical Flow

---

# Designing 1-port PoE System Using PD69101

---

Introduction This application note provides detailed information and circuitry design guidelines for the implementation of a single port Power over Ethernet (PoE) system, based on Microchip's 1-port PSE

# Designing 1-port PoE System Using PD69101

---

This application note provides detailed information and circuitry design guidelines for the implementation of a single port Power over Ethernet (PoE) system, based on Microchip's 1-port PSE PoE controller,



## Selecting the Right PoE Switch and how to use PoE

---

There are two types of PoE switches available for installation commercial-grade and industrial-grade which are designed to meet the specific needs of different

## What Is a PoE Switch , Power over Ethernet , TP-Link

---

A PoE switch delivers both data and electrical power to connected devices through a single Ethernet cable, removing the need for separate power adapters or

## What is Power Over Ethernet (PoE)?

---

What is Power over Ethernet? Power over Ethernet (PoE) is a technology for implementing wired Ethernet local area networks (LANs) that



## **What Is Power Over Ethernet (PoE)? A Clear Guide to How It Works**

---

The PoE switch supplies power, the Ethernet cable carries both power and data, and the device receives everything through one connection. This is the most straightforward PoE

## **Unlocking the Potential of a PoE Switch: A**

---

A PoE switch's combination of power and data involves a process whereby electrical power is sent with data signals over a standard Ethernet

## **What is a poe switch and how to select it?**

---



Power over Ethernet (PoE) switches have become a popular solution for businesses looking to provide power and data to devices over a single

## **Power Over Ethernet: What Is "PoE"? -- Everything You**

---

Power Over Ethernet (or "PoE") is a technology that delivers power and data over a single Ethernet cable to power devices like IP cameras and VOIP phones.

## **Power Over Ethernet (PoE) Adapter : 8 Steps (with**

---

Power Over Ethernet (PoE) Adapter: Power over Ethernet or PoE, is the technology used for power transmission in network equipment, via network UTP cable,



## **Power over Ethernet explained , Electronics360**

---

Power over Ethernet (PoE) systems are technologies that deliver both electrical power and data over a single Ethernet cable, typically a twisted-pair

### **A Comprehensive guide to PoE Switches and their Uses**

---

PoE switches work by injecting electrical power into the Ethernet cable, ensuring that connected devices receive both data connectivity and power from a single source.

### **Power over Ethernet**

---

Power over Ethernet (PoE) describes any of several standards or ad hoc systems that pass electric power along with data on twisted-pair Ethernet cabling. This



## PoE vs PoE+ vs PoE++ Switch: How to Choose?

---

This article explains the differences between PoE, PoE+, and PoE++ switches, and how to choose the right type that best suits your needs.

## What is an Ethernet switch?

---

What is an Ethernet switch? An Ethernet switch is a type of network hardware that is foundational to networking and the internet. Ethernet switches connect cabled

## What is a PoE switch (Power over Ethernet switch)?

---

A PoE switch explained Power over Ethernet (PoE) is an access layer technology that combines data signals and electrical power into a single Ethernet



## All about PoE (Power over Ethernet) , EtherWAN

---

The Basics and Benefits of PoE Power over Ethernet (PoE) technology enables both power and data transmission through a single Ethernet cable, eliminating the

### How PoE Works

---

Because the impedances of both leads in a twisted pair are pretty much the same, the current splits equally between two halves of the coils. As the result, no net

### What is a PoE Switch

---



A Power over Ethernet switch is a network switch that has PoE functionality integrated. Learn about different variations, limitations and benefits of

## What is Power Over Ethernet (POE)?

---

A Power over Ethernet switch (POE switch) is a network switch with built-in Power over Ethernet injection. Simply attach other network devices to the

## Power over Ethernet (PoE, PoE+, UPOE, UPOE+)

---

In this lesson, we are going to learn what is Power over Ethernet. What is the difference between the different standards PoE, PoE+, UPOE, and UPOE+? How



## PoE Power over Ethernet: Definition and Key Features

---

Power over Ethernet (PoE) is a technology that allows network cables to carry electrical power, along with data, to devices such as phones, cameras, and

## A Comprehensive guide to PoE Switches and their Uses

---

A PoE (Power over Ethernet) switch is a network switch that delivers both power and data through a single Ethernet cable to connected devices such as IP cameras,

## What is a PoE switch (Power over Ethernet switch)?

---

What is a PoE switch (Power over Ethernet switch)? Power over Ethernet switch (or PoE switch) is an access layer technology that combines data



## Power over Ethernet (PoE): Types, Uses & Benefits

---

What is PoE? Power over Ethernet (PoE) is a technology that simplifies network systems by delivering both data and electrical power over a

### Contact Us

---

For datasheets, pricing, or custom optical networking solutions, please visit:  
<https://entrenamientointeligente.es>