



EIT Opto-Routing

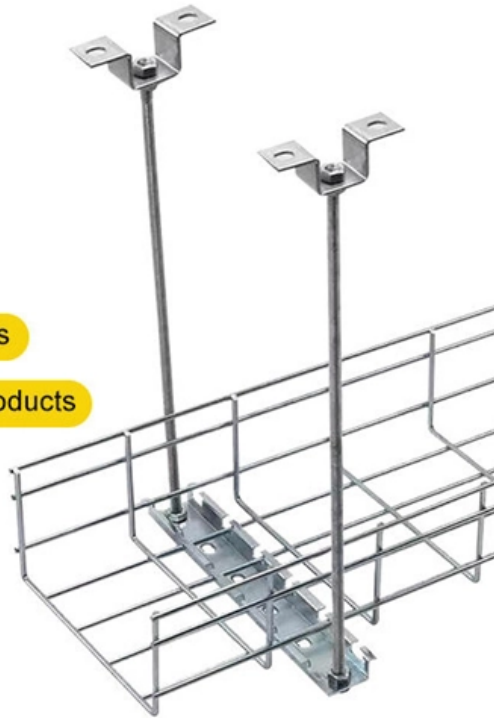
Outdoor floor-standing distribution box CAD

STAINLESS STEEL WIRE MESH

Long-lasting and durable

Comprehensive specifications

Customized non-standard products





Outdoor floor-standing distribution box CAD

Download 3D CAD models for free , 3Dfindit

Free 3D CAD models for download Search now in more than 6000 3D CAD catalogs Mechanical engineering, architecture (BIM), and much more.

Floor standing enclosures: 3D models

Discover all CAD files of the "Floor standing enclosures" category from Supplier-Certified Catalogs SOLIDWORKS, Inventor, Creo, CATIA, Solid Edge, autoCAD, Revit and many more CAD software



Main distribution electrical panel in AutoCAD , CAD

Download CAD block in DWG. Main distribution panel 800 amp panel with distribution breakers automatic transfer panel base (111.81 KB)

BioPreferred

I buy for the federal government Federal law, the Federal Acquisition Regulation, and Presidential Executive Orders direct federal agencies and their contractors to

CAD Forum

Free CAD and BIM blocks library - content for AutoCAD, AutoCAD LT, Revit, Inventor, Fusion 360 and other 2D and 3D CAD applications by Autodesk. CAD blocks and files can be



ABN Floor-Standing and Wall-Mounted Distribution Boards

The modular interior construction system of our distribution technology enables a wide range of configurations in switchgear construction. The components are designed for customer-side self

AutoCAD Electrical

Download and search for electrical - distribution. Browse through BIMobject's curated library of manufacturer-specific products to research and select which electrical - distribution to use in your

EKOM



Download EKOM - Aluminium floor standing outdoor enclosure. Available for SOLIDWORKS, Inventor, Creo, CATIA, Solid Edge, autoCAD, Revit and many more CAD software but also as STEP, STL,

Universal enclosures, cabinets, boxes , Schneider Electric

From small boxes to large floor-standing cabinets, Panel SeT (formerly Spacial and Thalassa) electrical enclosures suit all applications in industry or infrastructures.

Distribution Panel Boards , CADdetails

OurCADlibraryhasthousandsoffree,manufacturer-specificCADDrawings,Files,Blocks and Details for download in multiple 2D and 3D formats.



Floor-standing cabinets

Floor-standing cabinets The right floor-standing cabinet for every application We can provide you with the right, practical solution for every application from our wide

Main Distribution Board Outdoor Type DWG CAD Download

Architects, electrical engineers, CAD designers, MEP teams, contractors, and fabricators can use this drawing as a reference for layout and coordination. It is also useful for students and drafting

Ultimate 400x500x200 Outdoor Distribution Box Drawing

By utilizing these professional, readily available CAD files, you ensure your outdoor



installation is safe, protected, and compliant with external wiring

Free download! AutoCAD Electrical

Browse through BIMobject's curated library of manufacturer-specific products to research and select which electrical - distribution to use in your project. Whether you're looking for something for a

Amazon : RIYIFANRONG Outdoor Floor-Standing Stainless Steel

Buy RIYIFANRONG Outdoor Floor-Standing Stainless Steel Waterproof Electrical Enclosure Box with Mounting Plate, Distribution Protection Box Breaker Box: Electrical Boxes - Amazon FREE



Electrical box mounted on a pole DWG CAD Block Free

Free, 100% Accurate CAD Drawings of Electrical boards with Details, Elevations. Browse thousands of CAD Blocks, ready for download.

19 ntrol Panel Layout AutoCAD Blocks

19 ntrol Panel Layout AutoCAD Blocks 19 ntrol Panel Layout AutoCAD Blocks Cubicle construction - frame : galvanized sheet 2.3 mm. thk. - front cover : steel

BIM objects

Download free BIM objects for electrical including electrical - distribution as Autodesk Revit families, SketchUp, Autodesk, Vectorworks or ArchiCAD files.



Get Your Ultimate Outdoor Power Distribution Box Drawing

Our detailed Outdoor Power Distribution Box drawing is an essential resource for mechanical engineers, electricians, and fabricators. This professional

Air Conditioner Outdoor Unit CAD , DWG Download

Download an outdoor air conditioner unit CAD block in DWG format for mechanical and HVAC layout drawings of split AC systems and outdoor condenser placement.

Weatherproof Stainless Steel Electrical Distribution



Box, Outdoor Floor

Sturdy floor-standing electrical cabinet: This metal electrical cabinet features a sturdy bracket for direct floor installation, making it suitable for various applications including indoor and outdoor electrical

Download CAD files for Electrical Distribution Products

Now you have access to a huge range of Schneider Electric CAD files for your projects, without having to call Customer Support and request them. It's

Contact Us

For datasheets, pricing, or custom optical networking solutions, please visit:
<https://entrenamientointeligente.es>