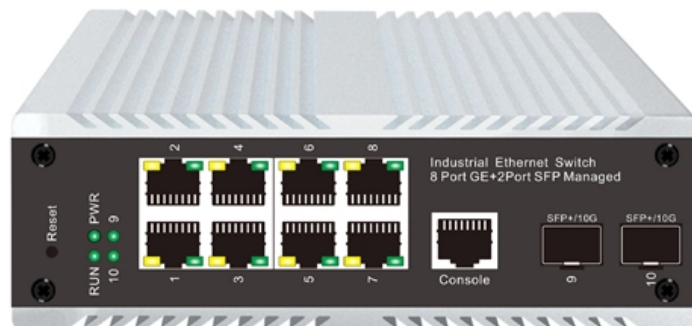


Outdoor conduit and fiber optic cable installation tools





Outdoor conduit and fiber optic cable installation tools

The FOA Reference For Fiber Optics

Cable ties used with many cables, especially when tightened with an installation tool, are harmful to fiber optic cables, causing attenuation and potential fiber breakage.

Outdoor Fiber Installation Practices Explained for 2025

Key Takeaways Plan your outdoor fiber installation carefully by surveying the site, choosing the right cable type, and following FOA and OSP



Fiber Optic Cable Installation

From long haul to fiber-to-the-premises, Condux International has the equipment you need for successful fiber optic cable installation. Whether it's fiber optic cable pulling or blowing, count on

101 Guidelines for Fiber Optic Cable Installation

101 Guidelines for Fiber Optic Cable Installation Never directly pull on the fiber itself. Fiber optic cables have Kevlar aramid yarn or a fiberglass rod as their strength

The FOA Reference For Fiber Optics

Fiber optic cable may be installed indoors or outdoors using several different installation processes. Outdoor cable may be direct buried, pulled or blown into



A Step-by-Step Guide to Fiber Optic Cable Installation

This beginner-friendly guide will walk you through the step-by-step process of fiber optic cable installation for each method,

Indoor and Outdoor Fiber Cable Installation Best

Explore best practices for installing indoor and outdoor fiber optic cables, including conduit, direct burial, riser, and aerial applications. Build stable,

Fiber Optic Cable Installation: How To Properly Install It



A comprehensive guide to fiber optic installation - everything you need to know about fiber optic cabling for your network

Cable Installation Tools , Budco Cable Tools , Fiber

Since 1970, Budco has provide cable construction tools, cable installation tools, and cable identification tools including fiber optic test equipment and tools for the

How to Choose the Right Conduit for Your Fiber Optic

Choosing an oversized conduit with a large bend radius can help reduce friction and make installation easier for fiber optic cabling. For example, using a two-inch



Amazon : Klein Tools

56040 Magnetic LED Flashlight, 350 Lumen Rechargeable Flashlight, Twist Focus, Laser Pointer, Hands-Free, USB Charging Cable, for Work and Outdoor 1K+ bought in past month

Optical Fiber Cable Installation Guideline

Installation procedures for open placement of fiber optic cables are the same as for electrical cables. Care should be taken to avoid sudden, excessive force so as not to violate tensile load and radius

Outdoor Fiber Installation Practices Explained for 2025

You cannot achieve a reliable outdoor fiber optic cable installation without the proper tools. Each step, from cable preparation to final testing,



Buy Cables Online , Your Reliable Partner for Cable & Connection

LAPP India, a one stop solution provider for cable and connection technology. Buy online over 40,000 products ranging from cables, connectors, glands, conduits to cable markers. Our solution ranges

How To Pull Fiber Optic Cable Through Conduit , Storables

Learn how to pull fiber optic cable through conduit with this informative article. Find step-by-step instructions and tips for a successful



Cable Installation Tools , Fiber Installation Tools , Budco Cable Tools

Click on our featured cable installation product categories below including our Coax Cable Prep Tools and Strippers and our Temporary Cable Guard. Or, [click here to browse our full line of cable](#)

Fiber Installation - Jameson Tools

At Jameson Tools, we've engineered a suite of tools designed to revolutionize Fiber-to-the-Home (FTTH) installations. Our innovative solutions are crafted to enhance efficiency, reduce labor, and

Mini-Blower/Pusher

The Mini-Blower/Pusher is a low-cost & portable solution for short-run installation of fiber cable. It can be driven using cordless, corded or pneumatic drills.



The FOA Reference For Fiber Optics-Installing Fiber

Fiber optic cable may be installed indoors or outdoors using several different installation processes. Outdoor cable may be direct buried, pulled or blown into

FOA Standard For Installing Fiber Optic Cable Plants

Support structures for fiber optic cable installations should be completed before the installation of the fiber optic cable itself. Outside plant structures should be installed in conformance with all permits

Be Your Own Technician: DIY Fiber Optic Installation Guide



6. Can I install fiber optic cables myself? Yes, with the right tools and guidance, you can certainly install fiber optic cables yourself. Remember, precision and patience are key to a successful

Master Your Fibre Optic Installation: Step-by-Step Best Practices

This comprehensive guide delves into the intricacies of fiber optic installation, exploring topics ranging from cable types and pre-installation considerations to execution, safety protocols,

Underground Fiber Optic Cable Installation: A Complete

Learn how to install underground fiber optic cables safely and efficiently. Explore trenching, conduit selection, direct burial methods, splicing,



GENERAL INFORMATION

Fiber optic cable can be installed in conduits either by pulling the cable by hand or by using a capstan. When using a capstan to pull the cable through the conduit, the capstan must have a diameter that

The FOA Reference For Fiber Optics -Outside Plant

The process usually begins with digging a trench to bury the conduit which is generally PVC plastic pipe, sometimes with pre-installed innerduct (also called

Contact Us

For datasheets, pricing, or custom optical networking solutions, please visit:
<https://entrenamientointeligente.es>