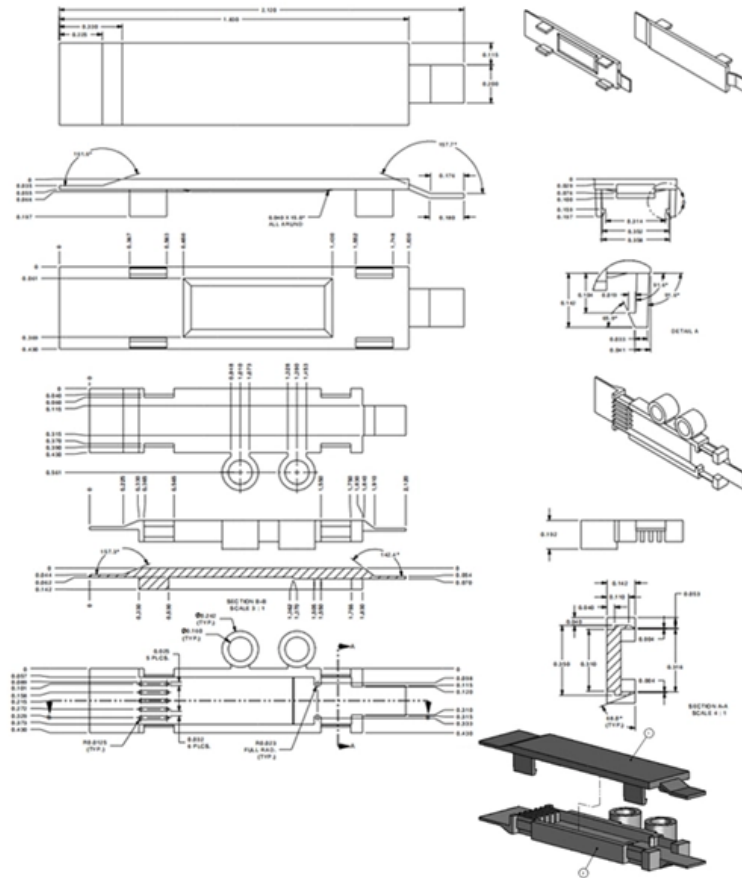


# Copper busbar intermediate connector





## Copper busbar intermediate connector

---

## POWER BUSBAR SOLUTION

---

POWER BUSBAR SOLUTION TE Connectivity's busbar solutions are typically made from aluminum or copper with electrical distribution applications in mind, with the ability to transmit high current power

## Busbar Systems , Power Busbars , EAE Electric

---

Power Busbar Systems are designed for the safe transport and distribution of electrical energy, ranging from 32A to 6300A, ensuring efficiency and reliability.



## **Bus Bars , Power Solutions**

---

Bus Bars A leading provider of bus bar solutions, Methode Power Solutions Group delivers products that meet RoHS and REACH standards, as well as assemblies

## **Cast Copper Pure Copper Busbar Material: Comprehensive Analysis**

---

Cast copper pure copper busbar material represents a critical conductive component in modern electrical distribution systems, characterized by exceptional electrical conductivity (typically

## **Choosing the Right Electrical Bus Bar Connector for**

---

Cover various types of bus bar connectors, such as bolted, compression, and clamp connectors, and provides expert tips for making the best



## Home

---

We specialise in the manufacture of copper bus bars, earth bars, copper laminates, copper braid, braided copper links, solid copper links, computer server earthing and earth straps.

## Busbar Power Connectors/Distribution , High Current

---

Amphenol offers high-performing, low-resistance Busbar connectors with designs to conveniently distribute power between busbars, cables, and

## Bus Bar Connectors , Burndy

---



Each bus bar connector is engineered to ensure a secure and durable connection, making them the ideal choice for infrastructure requiring consistent operational integrity.

## Busbars

---

Available in copper and aluminum, sheet, bar and rod form options. Feature braided cables that provide flexibility. Available in rounded rope braids that offer 360

## Busbar Connectivity

---

Features Board-to-Busbar, Wire-to-Busbar Silver plated Copper alloy Mate with .125" or .062" thick plated busbar providing a separable connection that eases assembly, inspection, and



## Industrial Controls Catalogue Canada Section 5

---

Selection and ordering data Busbar holders Fast Bus adapter shoes Incoming supply terminals Copper busbar Busbar covers Other accessories

### Busbar Power Connectors/Distribution , High Current Electrical Busbar

---

Amphenol offers high-performing, low-resistance Busbar connectors with designs to conveniently distribute power between busbars, cables, and circuit boards.

### Copper for terminals, bus bars, press fits and connectors

---

The market implies increased requirements on copper alloys. With many years of experience in the field of components and modules for the power semiconductor



## **Busbars , Electrical Busbars & Copper Busbars , RS**

---

Copper Busbars: This type of busbar is generally used for high-current applications due to its excellent electrical conductivity. Typically found inside industrial switchgear and control panels, busway

### **Amazon : Copper Bus Bar**

---

Find reliable copper bus bars for electrical connectivity and power distribution. Choose from various sizes, materials, and configurations to suit your needs.

### **Copper for Busbars - Guidance for Design and Installation**

---



For busbar systems, the maximum working current is determined primarily by the maximum tolerable working temperature, which is, in turn,

## **Flexible & Rigid Composite Copper Bus Bar Connectors**

---

Flexible & Rigid Composite Copper Bus Bar Connectors The copper busbar consists of both flexible connections and rigid conductors, combining the flexibility of

## **How to Choose the Right Busbar Insulator: A Practical**

---

A comprehensive guide to selecting busbar insulators, covering key factors, material comparisons, types, application-based selection, and future



## **POER TECHNICAL BRIEF BUSBAR SOLUTION**

---

Flexible busbar connection options. Copper and aluminum contact. Stamped and machined contact designs in straight, 90 degree and custom angles. d high voltage application options. I egrated

## **Types of Power Bus Bar Connectors , TE Connectivity**

---

It is hot plug capable for controlled and reliable separation of high power. The connector mates to a 3.0mm thick plated busbar that provides a separable

## **Technical Requirements of Busbars And Current Carrying Parts of LV**

---



Before assembly, all busbar joint surfaces shall be filed or finished to remove burrs, dents and oxides and silvered to maintain good continuity at all joints. All intermediate conducting material shall be

## **Copper Busbar**

---

Copper Busbar Lower Insulation Resistance (IR) drop Efficient thermal and electrical properties Space saving relative to aluminum Categories: Busbars - Power

## **Busbar Design for High-Power SiC Converters**

---

Busbars are critical components that connect high-current and high-voltage subcomponents in high-power converters. This paper reviews the latest

## **Contact Us**

---



For datasheets, pricing, or custom optical networking solutions, please visit:  
<https://entrenamientointeligente.es>