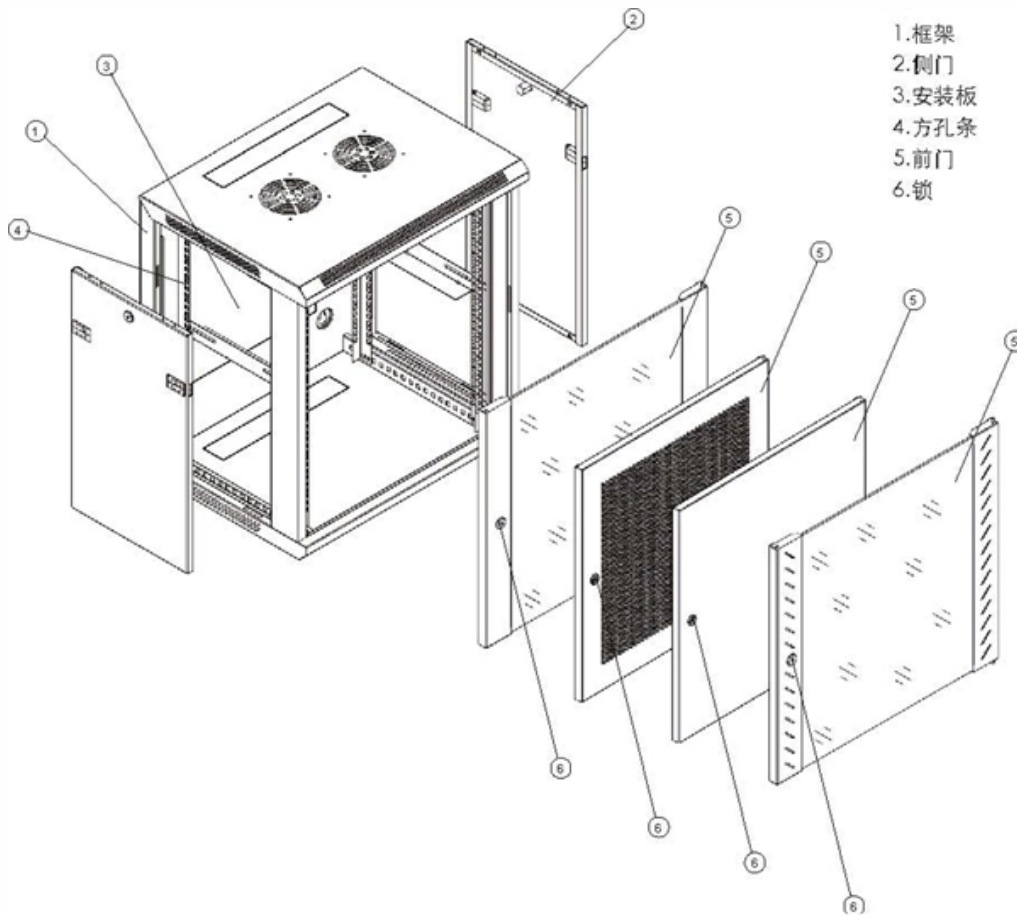


Can a grounding pin be connected to a distribution box





Overview

The grounding pin is not electrically connected to the device yoke, and, so, not connected to the metallic outlet box. 26 mm² (10 AWG) ground wire must be used, and in all other markets a 6 mm² must be used. A separate conductor, green with a yellow stripe, is run to the panelboard with the rest of the circuit conductors, but it is. electrical - Does every single ground wire in a box have to connect to every other ground wire within the confines of that same box on one branch circuit?

- Home Improvement Stack Exchange Does every single ground wire in a box have to connect to every other ground wire within the confines of that. Today, we're diving deep into the world of distribution box grounding, breaking down the standards, and shining a light on those sneaky mistakes that even experienced electricians sometimes make. Whether you're a seasoned pro or just starting out, this comprehensive guide will give you practical.



Can a grounding pin be connected to a distribution box

How To Ground Electrical Enclosure: The Complete Guide

Grounding Bar: This refers to a bar that can connect many ground conductors, and is typically attached to the backpanel. Grounding Terminal: A

Practice for good grounding and bonding a home wiring

Bonding and grounding explained All home electrical systems must be bonded and grounded according to code standards. This entails two tasks: First,



Grounding Practices in Power Distribution Systems

Connection and Protection: It is crucial to connect grounding transformers to the system in a way that ensures reliable grounding and effective fault detection. To

9 Recommended Practices for Grounding

Open the distribution box and find the position marked with the grounding plate or PE letter. This position is the connection point of the grounding

Where Does the Neutral Wire Go in a Breaker Box? -

Where Does the Neutral Wire in Breaker Box Go The neutral or white wire is usually connected to the breaker box's neutral bus bar. At the same time,



The Basics of Grounding & Bonding Electrical Systems

It requires a bonding jumper to connect the grounding terminal of a receptacle (green screw) to the metal box; with the metal box then connected to the system EGC.

Subpanel Grounding: Answers to Common Questions

subpanel grounding violations. The grounded conductors and the equipment grounds are connected to the same terminal bar, contrary to Rule #1. In the event of a ground fault, the neutral wires can

Grounding & Bonding Temporary Generators and



Technicians often have an "Anything Goes; It's Temporary" attitude about grounding, bonding, when dealing with the installation of temporary

Electric system ground system inspection

Electrical ground system inspection procedures & checklists. This document discusses procedures the inspection of the grounding system components of a building electrical system when performed by

Top 6 Distribution Box Makers with Innovative Features in 2025

See the best distribution box manufacturer picks for 2025, featuring top brands with advanced safety, smart features, and global certifications.



Why are Neutral and Ground Wires Bonded in a Subpanel?

The ground busbar terminal in the service equipment (main panel) should be securely connected to the grounding rod using a properly sized equipment

DISTRIBUTION BOX

Each DISTRIBUTION BOX and controller must be grounded. On the US market, a 5.26 mm² (10 AWG) ground wire must be used, and in all other markets a 6 mm² must be used.

DISTRIBUTION BOX



The extra ground wire between the mounting plate and the spindle plate can be omitted in certain applications: If the tool cable is maximum 30m. If two or more spindles are used, and

Electrical Box Ground Wire Connectors & Connections

This article describes options for connecting a metal electrical box to the grounding conductor & connecting the grounding conductor to a fixture such as a ceiling light or ceiling fan.

Does every single ground wire in a box have to connect

The load-side wires are all on the same branch circuit, and they all come from a common split point in another junction box upstream where all of the



How to Ground an Electrical Panel: A Complete Guide

Learn how to ground an electrical panel step-by-step. Ensure safety, code compliance, and protect your home from electrical hazards.

Distribution box with standard cable (for up to 4

With this convenient distribution box with a standard pin cable you can connect up to 4 grounding products with a grounded wall socket or a grounded extension cord

Grounding & Bonding-Temporary Power Generation and Electrical Distribution



National Electrical Code of an effective ground fault current path is the backbone of electrical safety and shock prevention in temporary power generation and electrical distribution

Grounding System Installation Standards for Distribution Boxes and

Your distribution box is mission control for electricity in any building. When grounding fails here, it's like having a spaceship without a heat shield--everything inside becomes vulnerable to surges, faults,

The Importance of Ground Wires in the Breaker Box: A

To ensure the effectiveness of the ground wire, it is important to maintain proper grounding throughout the electrical system. This includes ensuring that all



Should a Breaker Box Wire Neutral or Ground?

This connection, known as system bonding, is accomplished by installing a main bonding jumper (MBJ) between the neutral bus bar and the panel enclosure or the grounding bus bar. This

JLC Field Guide: Grounding

JLC Field Guide: Grounding The purpose of grounding is safety: A ground wire generates a short circuit and trips the circuit breaker or fuse when

Grounding Basics

So be careful: Only a little current flowing through your heart can kill you. Ground wires (equipment grounding conductors) connect to every part of the electrical



How To Ground Your Electrical Panel and Service Disconnect

Electrical Grounding & Bonding: Top Mistakes to Avoid for a Successful Installation: Don't make common mistakes that can lead to a dangerous electrical system. Follow this video to learn what to

The installation requirements for the distribution box

Learn how to install a distribution box safely and correctly. Covers wiring, placement, standards, and expert tips for a compliant setup.

Contact Us



For datasheets, pricing, or custom optical networking solutions, please visit:
<https://entrenamientointeligente.es>