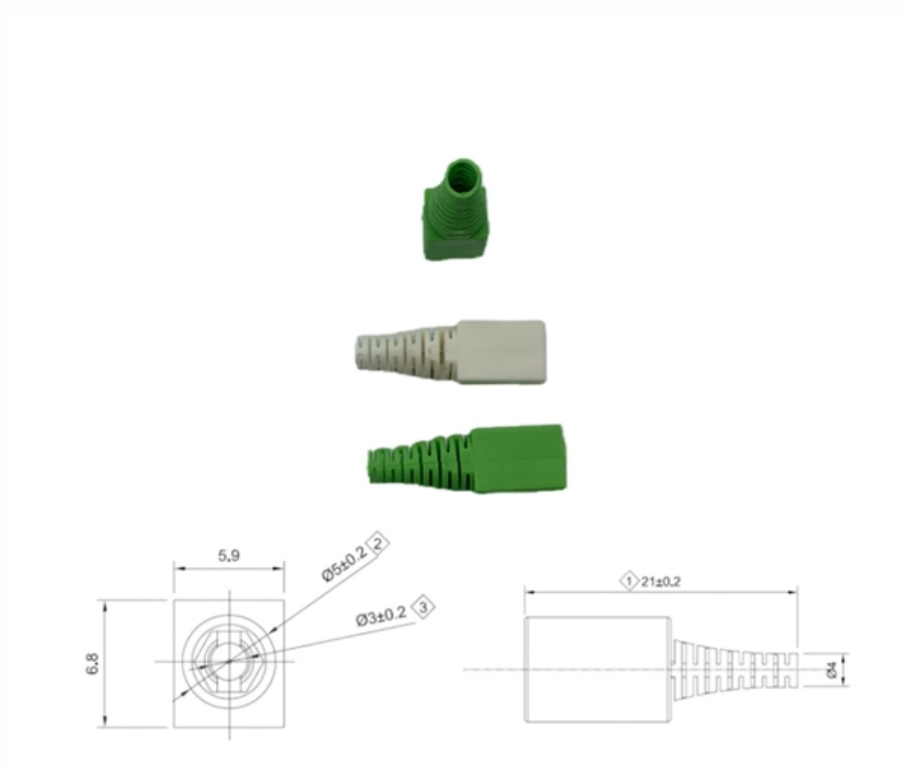


CNC cable tray lighting





CNC cable tray lighting

Cable Trays

Heavy duty cable trays and cable ladders are manufactured from pre-galvanized or hot-dipped galvanized sheet metal, designed to meet ideal environmental

Replacement Parts: STV® CNC Cable Carriers

The Set of STV® CNC Cable tracks are durable and help keep wiring/cabling and your Mechanized Torch Cable organized when safety is important in an industrial

Stylish and flexible cable installation with Wibe

Wibe& #x27;s collection of design trays consists of perforated luminaire rails for the installation of lighting, unperforated cable channels for other cable routing, as well

CNC Cable Tray Bending Machine

High-precision CNC cable tray bending machine for automated, efficient production of cable support systems. Offers superior accuracy and repeatability.

Cnc flexible cable trays

Types of CNC Flexible Cable Trays A CNC flexible cable tray is a precision-engineered component used in industrial machinery and automation systems to manage, protect, and guide electrical cables and



Alibaba : CNC Router Cable Energy Chain, Plastic Drag Chain

The CNC Router Cable Energy Chain is a durable, flexible drag chain designed for industrial applications. Constructed from steel-reinforced black plastic, it combines strength with adaptability,

6. Cable Track Assembly

6.1.1 Cable Track Tray Installation 6.1.1.1 At each indicated location, install two M8 x 16mm T-Studs into the lower slot of the table extrusion.

Cables Support Systems - Memico



Utilizing state-of-the-art equipment and CNC machines in our production processes, we craft a variety of Cable support Solutions, including cable trays, cable trunks, and ladders, tailored to meet specific

Flexible cable tray

Flexible Cable Ladder Tray: Usually, the tray structure supports the cables through welded rungs to provide good ventilation and maximum cable support. The lower

7. Cable Track

Attach a CRP150-03 Cable Tray Bracket C to the underside of the table extrusion using M8 x 16mm Socket Head Cap Screws L and M8 Roll-in T-Nuts M . Only



Cable management systems

Cable Management Systems Innovative design combined with high quality finishes, production according to international standards, and high value for money ratio is

Cable Trays - Euronox

CNC cable trays are made of galvanized carbon steel and are suitable for outdoor and utility applications. As cable trays are one permanent element in almost all

Cable Tray - Unitrunk

Light Duty Cable Tray Medium Duty Cable Tray Heavy Duty Cable Tray Straight Coupler -
Light Duty Fish Plate - Light Duty Fish Plate - Medium/Heavy Duty



Cable Tray

Cable Chain 15x20 Features easy to install and repair, free movement, low noise, wear-resistant, high-speed movement. Suitable for using in reciprocating motion

Standard CNC Cable Track Installation

The first step is to attach the trays to the X axis -- the trays help route the cables and support the plastic e-chain guides. The x axis tray mounts using 2 metal U

A Comprehensive Guide to Tray Cable

Tray cables are a versatile cable with broad usage wherever installation within cable trays or raceways is required. Common applications



Cable Tray

Cable Tray Systems General Introduction The Aitkens Cable Tray Systems are a comprehensive package of products completely manufactured at our premises in

Bracket Lighting Fixture

Characteristic of this steel type is that - prior to mechanical deformation - it is given a zinc coating by means of a continuous dipping process. This zinc coating is

Cable tray light SPB-RF60 3m 1.5mm



Cable tray with return flange mainly for electrical cable and light support. With square hole for easy cable routing to light fixtures.

How to Choose the Right CNC Cable Tray for Machinery

Choosing the right CNC cable tray ensures long-lasting cable protection and system adaptability, supporting efficiency.

Cable Tray

Suitable for using in reciprocating motion of the occasion, is able to built in cable, tubing, water pipes, etc. Used widely as a component and service parts in CNC



High-Quality Cable Tray Systems , Light, Medium

Our selection includes light, medium, and heavy-duty trays, each crafted to ensure durability and reliability. Widths range from 50mm to 600mm, with lengths

Contact Us

For datasheets, pricing, or custom optical networking solutions, please visit:
<https://entrenamientointeligente.es>